

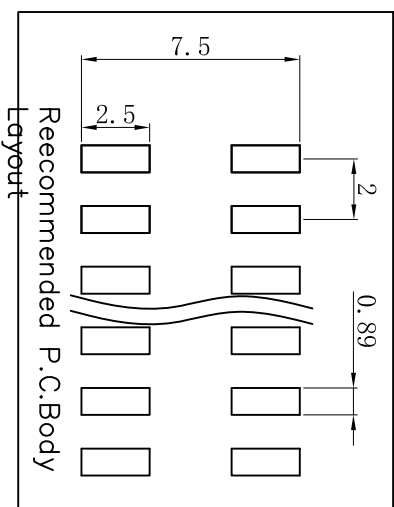
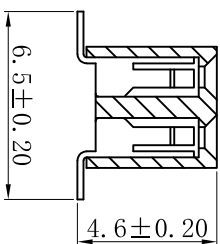
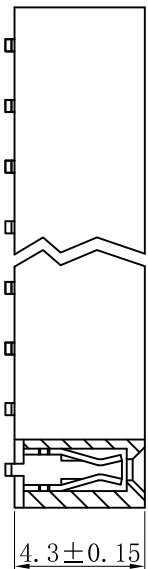
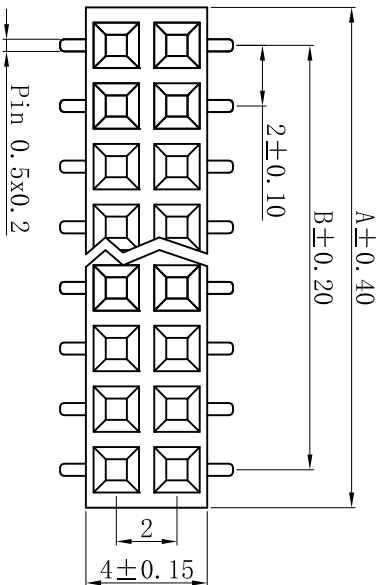
REV. NO.	REVISION NOTE	REVISER	DATE
V0	NEW DRAWING		2023/05/09

客户编码

XX-XXX

SPECIFICATIONS

Current Rating:1.5AMP
 Contact Resistance:20mΩ Max
 Insulation Resistance:1000MΩ Min
 Withstand Voltage:500V AC/minute
 Operation Temperature:-40℃ to +105℃
 Contact Material:Phosphor Bronze
 Contact Plating:Au over 50 μ "Ni
 Insulator Material:Polyester(UL94V-0)
 Standard:PA6T



备注:

- 1、A= 2.00X No. of Positions + 0.5
- 2、B= 2.00 X No. of Contacts - 2.00
- 3、C= 2.00 X No. of Contacts - 4.00
- 4、胶壳用常规标准胶壳, 2xNo. of Contacts
- 5、材质: PA6T 颜色: 黑色
- 6、端子表层镀金0.8 μ "

 Http://www.ciscom.com		深圳市新世联电子有限公司 TEL: +86 (755) 29912370 FAX: 29912372	
Tolerance Unless Otherwise Specified	Title	排母2.0mm 双排 立贴 (塑高4.3) U型	
.X ~ ±0.30		Units	Scale
.XX ~ ±0.25		mm	1:1
.XXX ~ ±0.20	Drawing By	Date	REV NO.
Angle ~ ± 3°	LiuYang	2023/05/09	V0
	Reviewed By	Date	Material No.
			XXXX-XXXX-XX-XX
			Approval By
			Date